

11mm Square Encoders with Push-lock Switch

Japan

Type: **EVQWEB**



■ Features

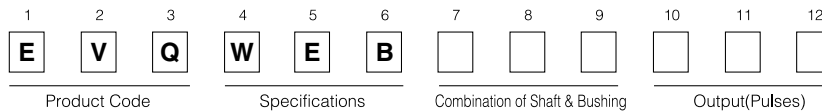
- New type encoder with a push-lock switch
(Normally: ON, When push-locked: OFF)
- Travel: 9.0 mm–8.0 mm
- 15 pulses, 30 detents

■ Recommended Applications

- Volume control or mode switches for Car Audio Equipment
- Signal input for Monitors, Audio Visual Equipment

■ Industrial Property: 1 patent (pending)

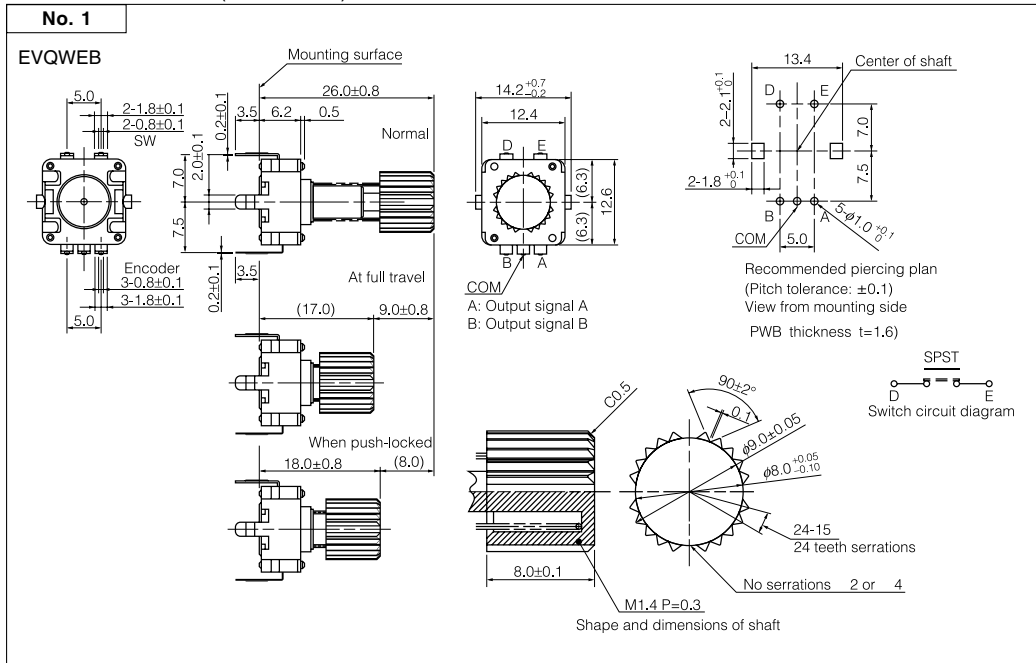
■ Explanation Part Numbers



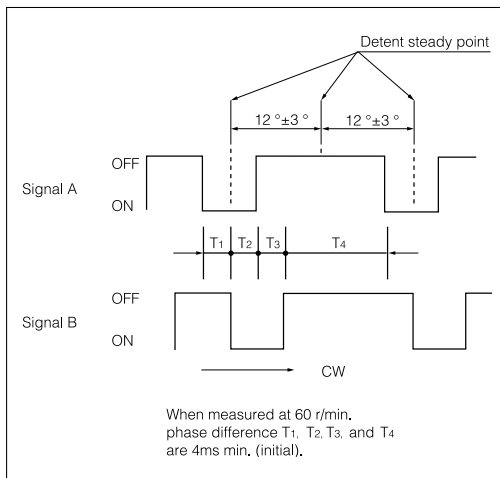
■ Major Specifications

Mechanical	Rotation Angle	360 ° (Endless)
	Shaft Pull/Push Strength	100 N min.
	Rotation Torque	3 mN·m to 20 mN·m
	Detents	30 points
Electrical	Resolution	15 pulses/360 °
	Output Signal	A and B (2 phases)
	Rating	20 mA 16 Vdc
	Contact Resistance	1 mΩ max.
	Insulation Resistance	50 MΩ min. (at 250 Vdc)
Endurance	Dielectric Withstanding Voltage	300 Vac for 1 minute
	Rotation Life (Encoder)	30000 cycles min.
	Operating Life (Push-lock)	30000 cycles min.
Minimum Quantity/Packing Unit		100 pcs. (Tray Pack)
Quantity/Carton		500 pcs.

■ Dimensions in mm (not to scale)



■ Phase Difference



■ Test Circuit Diagram

