

ENC Series Optical Encoder



Features/Benefits

- Clear detent/haptic feel
- Optional integrated pushbutton
- Offer in 16, 20 & 24 detent positions
- Panel mount with screw thread
- Various cable lengths and termination

Typical Applications

- Automotive interior control
- Industrial equipment
- Test & Instrumentation
- Medical equipment

Specifications

ROTARY

ELECTRICAL & MECHANICAL

OPERATING VOLTAGE: DC 5 ± 0.25V, 30mA max.

OUTPUT VOLTAGE: Logic high > 3V DC

Logic low < 1V DC

ROTATIONAL TORQUE: 200 gf-cm initially

MECHANICAL LIFE: 300K cycles

PUSHBUTTON

ELECTRICAL & MECHANICAL

OPERATING VOLTAGE: DC 5V, 10mA

INITIAL CONTACT RESISTANCE: 10 ohm max.

ACTUATION FORCE: 600 ± 20% gf

SHAFT TRAVEL: 0.74 ± 0.2mm

CONTACT BOUNCE: < 4ms make, < 10ms break

MECHANICAL LIFE: 300K cycles

Environmental Data

OPERATING TEMPERATURE: -40°C to + 90°C

OPERATING RELATIVE HUMIDITY: ≤ 96% RH, +40°C

STORAGE TEMPERATURE: -40°C to +90°C

Materials

BUSHING: Zinc Alloy

SHAFT: Zinc Alloy

DETENT ROTOR: POM, HB

DETENT SPRING: SUS

HOUSING UPPER: PA66, V0

HOUSING LOWER: POM, HB

PUSHBUTTON DOME: SUS

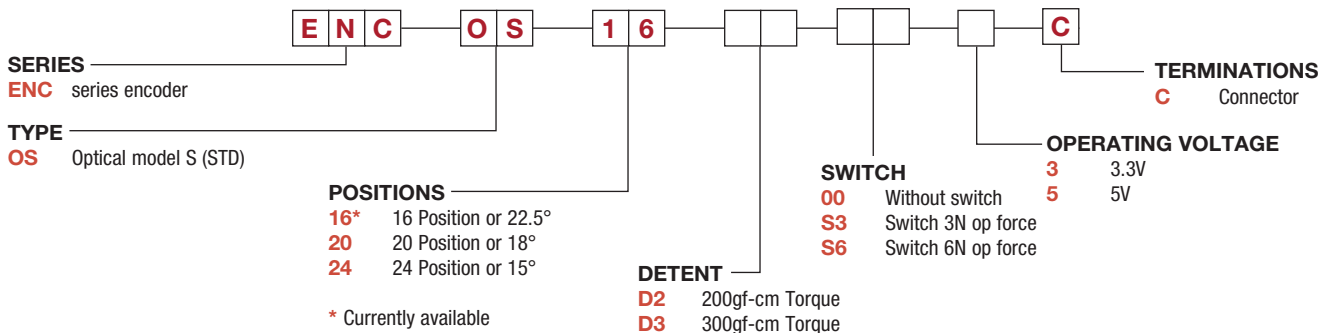


K

Rotary

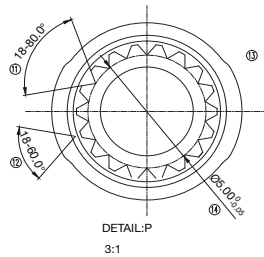
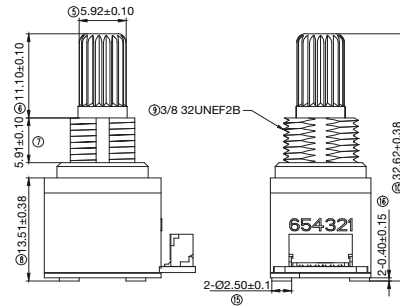
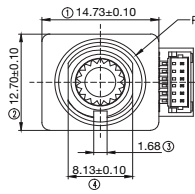
Build-A-Switch

To order, simply select desired option from each category and place in the appropriate box. For additional options not shown in catalog, consult Customer Service Center.



ENC Series Optical Encoder

PART NUMBER	PACKAGING
ENCOS16D2S65C	Tray



K

Rotary